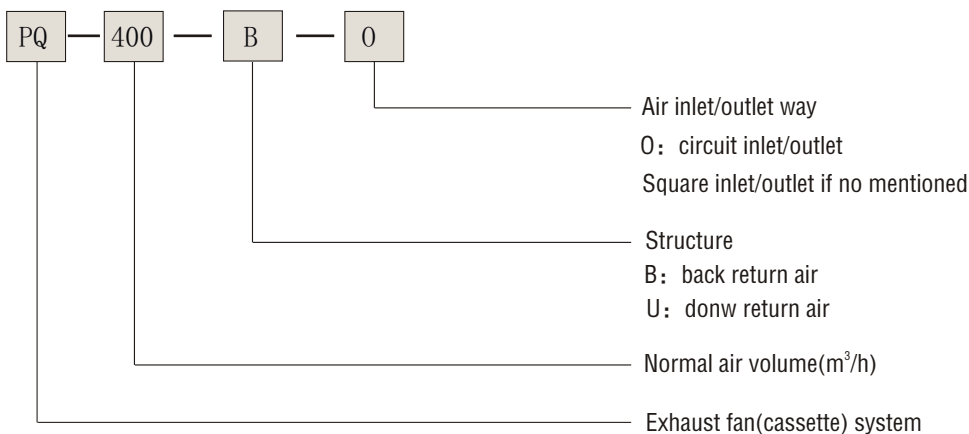


1 General Information

The PQ series products have been developed by our company in order to meet the requirements of the people who like to enjoy a comfortable working and living environment in the modern society. The PQ air exchange equipment with airflow of 250–1000 m³/h can be used in office buildings, schools, hotels, hospitals, department stores as well as in the factories.

2 Sympol Explanation



For example: **PQ-400-B-O** stand for air volume is **400m³/h**, circuit inlet/outlet, structure is back return.

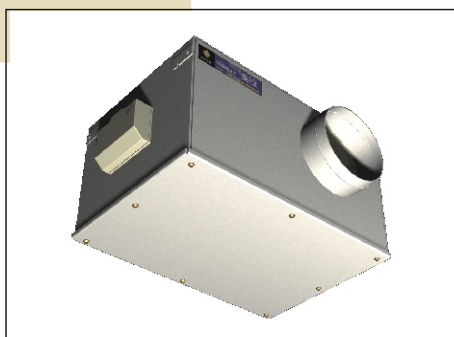
3 Characteristic

Model U structure of exhaust fan



- Being succinct, design slim and graceful size have , can install on hanging of space narrow and small.
- Select the high-quality noise elimination material for use, and compact slim structure, has reduced the noise from essence .
- Can take down the fan underneath the return air outet and convenient to maintain.
- The round outlet can be easily connected with the flexible duct.
- The wind pipe is joined conveniently, it is power consumptive and low , safe and reliable.
- Light-touch electronic control switch with three steps (strong, medium, weak).

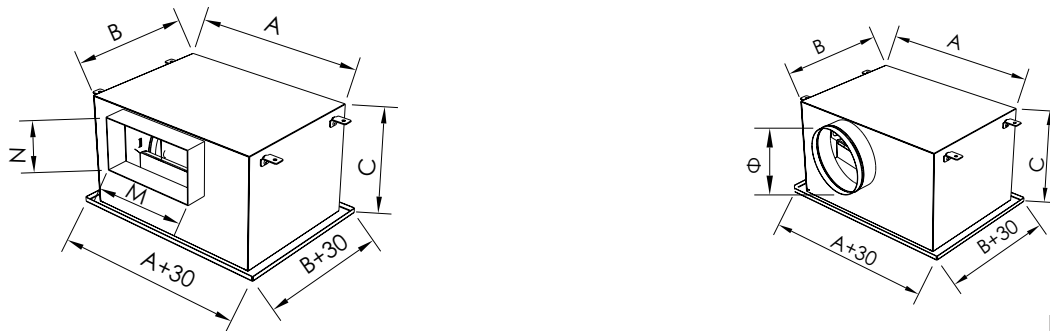
Model B structure of exhaust fan



- Due to compact and thin design, it is 20mm less than louver damper.
- There are several ways for choice for a separate return air outlet and different dimensions to meet the requirement of decoration.
- The noise level is low due to good noise-reduced material plus compact thin structure.
- The fan can be checked and repaired through the manhole located underneath the exhaust fan.
- The round outlet can be easily connected with the flexible duct.
- Light-touch electronic control switch with three steps (strong, medium, weak).

4 Performance Parameter

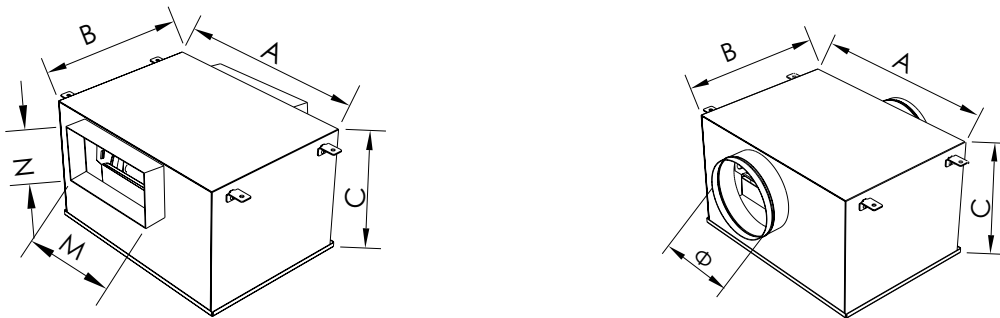
PQ-U Performance Parameter :



Unit: mm

Specs	Air volume (m ³ /h)	Excess pressure (Pa)	Fan power (W)	Outside size			Size of air outlet			Noise dB(A)	Unit contract weight(kg)
				A	B	C	N	M	Φ		
PQ-250	150~350	55~20	16	410	290	250	120	200	150	35~40	10
PQ-400	250~550	55~18	16	410	290	250	120	200	150	36~41	10
PQ-600	400~650	50~11	25	410	290	250	120	200	175	37~42	10
PQ-800	600~900	82~18	40	410	340	250	150	200	200	39~44	11
PQ-1000	800~1100	65~15	60	410	340	250	150	200	225	40~45	11

PQ-B Performance Parameter :



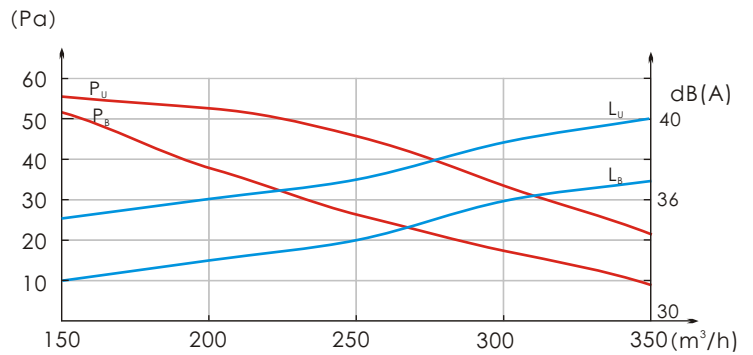
Unit: mm

Specs	Air volume (m ³ /h)	Excess pressure (Pa)	Fan power (W)	Outside size			Size of air outlet			Noise dB(A)	Unit contract weight(kg)
				A	B	C	N	M	Φ		
PQ-250	150~350	52~10	25	410	290	225	120	200	150	32~37	10
PQ-400	250~530	82~10	40	410	290	225	120	200	150	33~38	10
PQ-600	400~700	55~14	25	690	380	235	120	250	200	34~39	15
PQ-800	600~900	70~10	40	690	380	235	150	250	200	35~40	15
PQ-1000	800~1100	50~12	60	690	400	235	150	320	225	36~41	16

5 Size Parameter of PQ-U

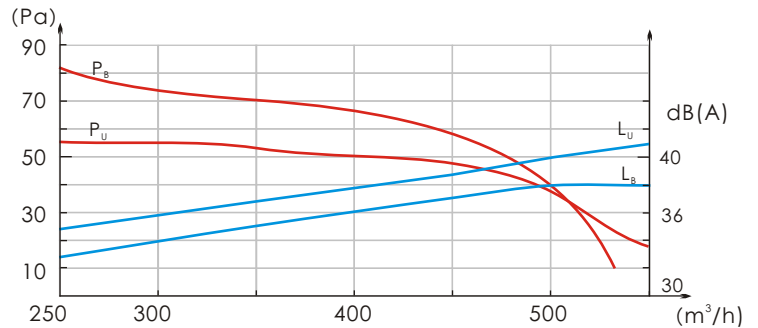
Type	Air volume Q(m ³ /h)	Excess pressure P(Pa)	Noise L(dBA)
PQ-U 250	150	56	35
	200	54	36
	250	47	37
	300	34	39
	350	21	40

Type	Air volume Q(m ³ /h)	Excess pressure P(Pa)	Noise L(dBA)
PQ-B 250	150	51	32
	200	37	33
	250	26	34
	300	18	36
	350	9	37



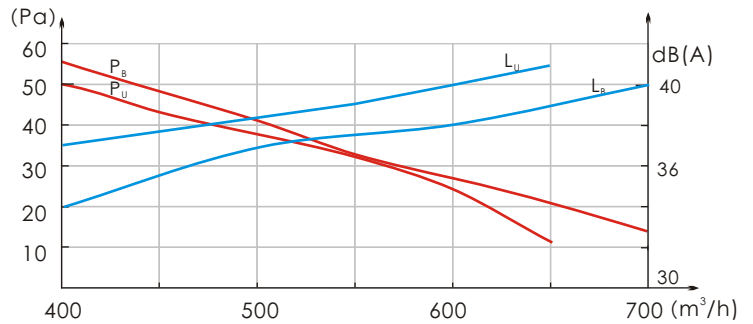
Type	Air volume Q(m ³ /h)	Excess pressure P(Pa)	Noise L(dBA)
PQ-U 400	250	55	35
	350	54	37
	400	48	38
	500	38	40
	550	18	41

Type	Air volume Q(m ³ /h)	Excess pressure P(Pa)	Noise L(dBA)
PQ-B 400	250	82	33
	350	71	35
	400	62	36
	500	40	38
	530	11	38



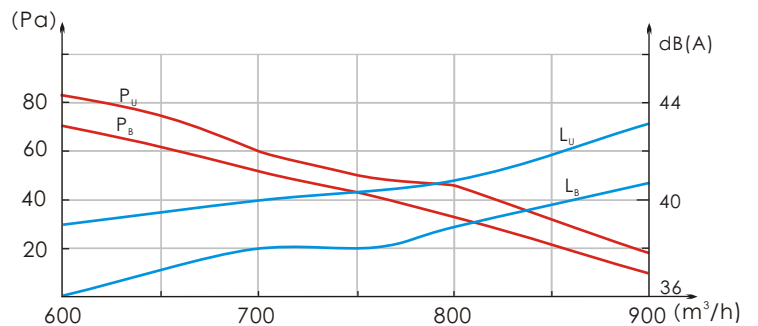
Type	Air volume Q(m ³ /h)	Excess pressure P(Pa)	Noise L(dBA)
PQ-U 600	400	50	37
	450	43	37
	550	32	39
	600	25	40
	650	11	41

Type	Air volume Q(m ³ /h)	Excess pressure P(Pa)	Noise L(dBA)
PQ-B 600	400	56	34
	500	41	37
	550	33	37
	600	28	38
	700	14	40



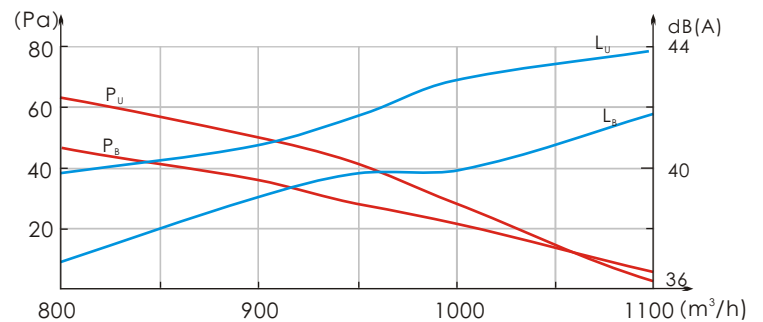
Type	Air volume Q(m ³ /h)	Excess pressure P(Pa)	Noise L(dBA)
PQ-U 800	600	82	39
	700	60	40
	750	53	41
	800	44	41
	900	18	43

Type	Air volume Q(m ³ /h)	Excess pressure P(Pa)	Noise L(dBA)
PQ-B 800	600	68	36
	700	54	38
	750	42	38
	800	34	39
	900	12	41



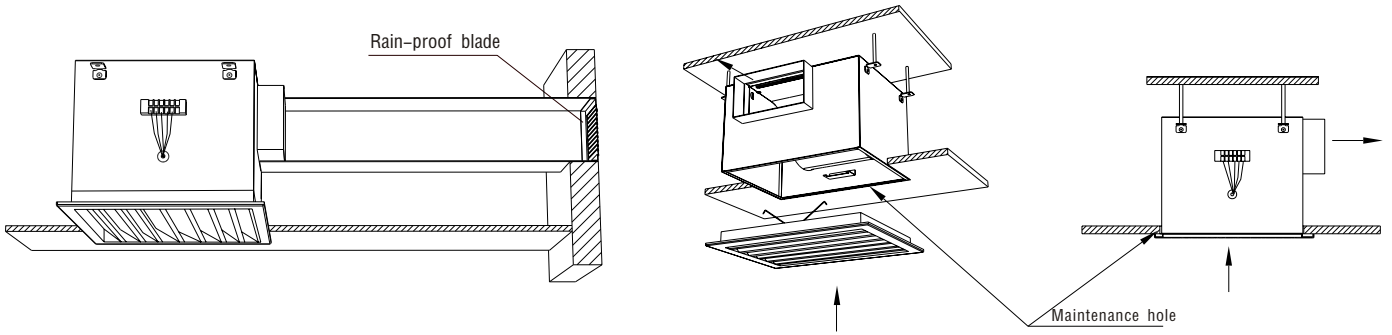
Type	Air volume Q(m ³ /h)	Excess pressure P(Pa)	Noise L(dBA)
PQ-U 1000	800	64	40
	900	56	41
	950	42	42
	1000	30	43
	1100	14	44

Type	Air volume Q(m ³ /h)	Excess pressure P(Pa)	Noise L(dBA)
PQ-B 1000	800	50	37
	900	39	39
	950	30	40
	1000	24	40
	1100	16	42

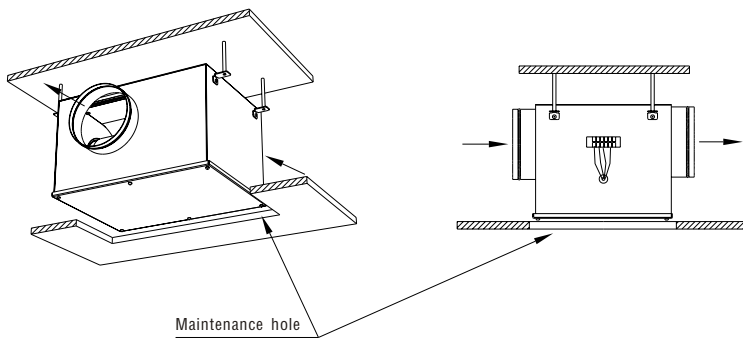
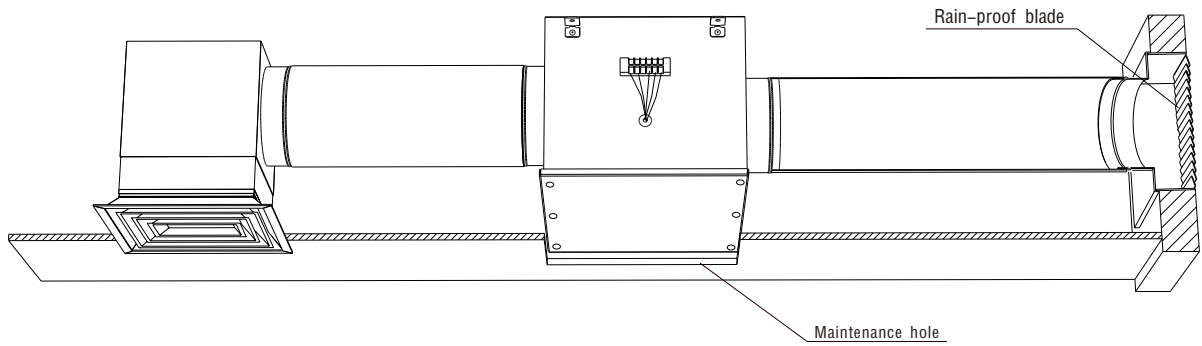


6 Installation

PQ-U :





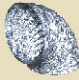
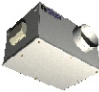



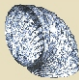


PQ-B0:



7 About Order

- 1,Customers shall specify the detailed type, specification .
- 2,Fittings shall be ordered separately in required.
- 4,Any special requirements shall be specified in the contract.

Name	Specs	Name	Picture	250	400	600	800	1000
PQ-U		Unit		●	●	●	●	●
		Electron		●	●	●	●	●
		intake air panel		●	●	●	●	●
		Nonreturn blade		○	○	○	○	○
		air outlet		○	○	○	○	○
		Flexible tuber pipe		○	○	○	○	○
PQ-B		Unit		●	●	●	●	●
		Nonreturn blade		○	○	○	○	○
		Electron		●	●	●	●	●
		air outlet		○	○	○	○	○
		intake air panel		○	○	○	○	○
		Flexible tuber pipe		○	○	○	○	○

Note: items marked with ● are accessories with the unit; items marked with ○ are optional parts which shall be purchased separately in ordering; items marked with