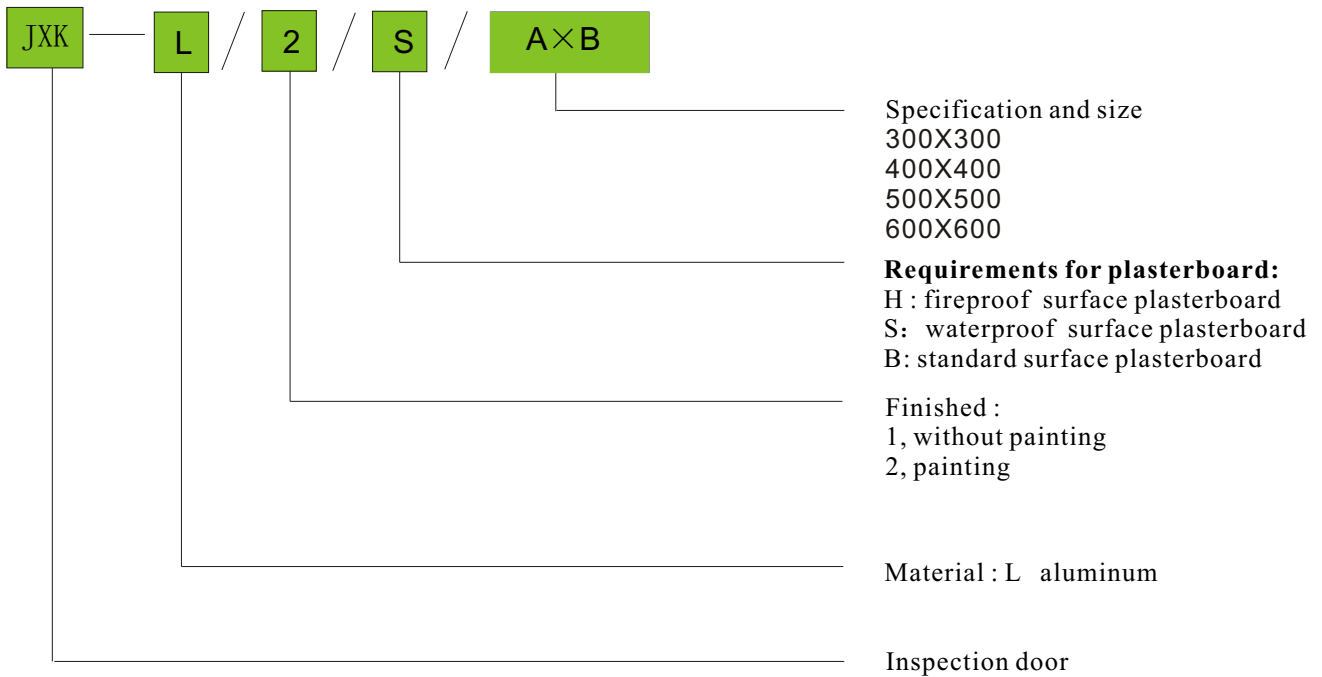


## 1, General description

To the other ordinary inspection door , our company's have more advantages which are more simple configuration, more easy to install ,more perfect appearance. It can be widely used in the ceiling of hotel、 theater 、 airport lounge and waiting room and so on . It is agile and convenient for you to open and close . There is a special lock and clasp to pledge solving the problem which above the ceiling timely and shortly . So in general , our company's inspection door possess the following advantages such as simple configuration , easy installation and disassembly

## 2, General symbol for aluminum inspection door

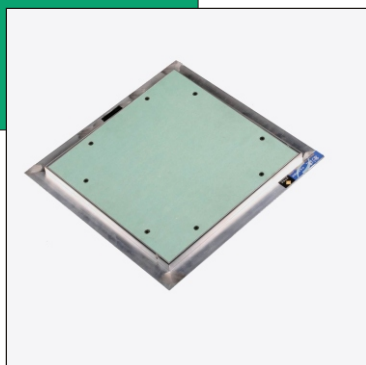


Order example : JXX-L/1/S/300\*300 means the inspection door whose through size is 300\*300 ,no painting ,the plasterboard is waterproof surface and without accessories.

**Note: Special order :we can supply 400\*400 which material is engineering plastic**

## 3,Characteristic

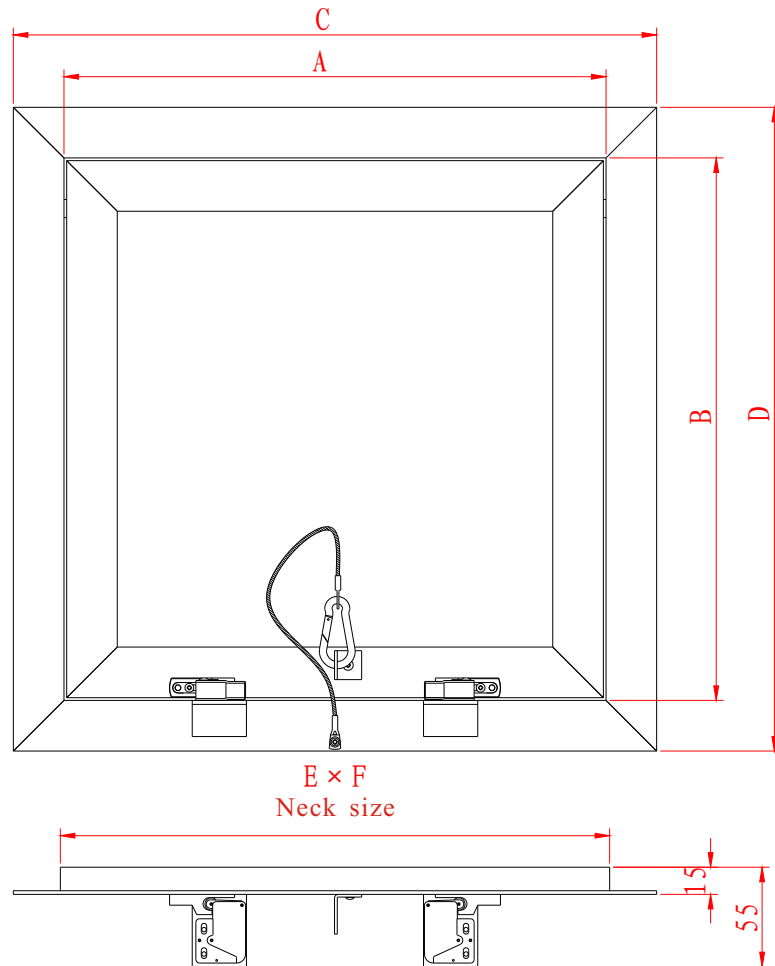
Aluminum inspection door JXX series



### Capability and Characteristic

- (1) Easy to install ,more perfect appearance
- (2) Open Agile :you just need to push the lock and clasp in the edge of inner frame then you can open it easily .
- (3) Close Agile : you just need to push the lock and clasp in the edge of inner frame then you can lock it easily .
- (4) There is a special device interiorly to avoid falling off , avoid falling off to hurt person

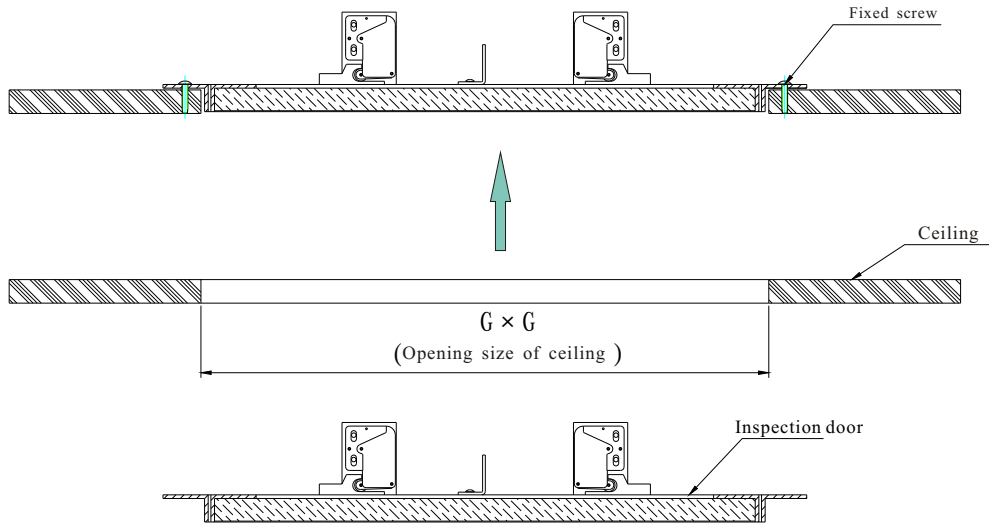
**4, Specification and size**



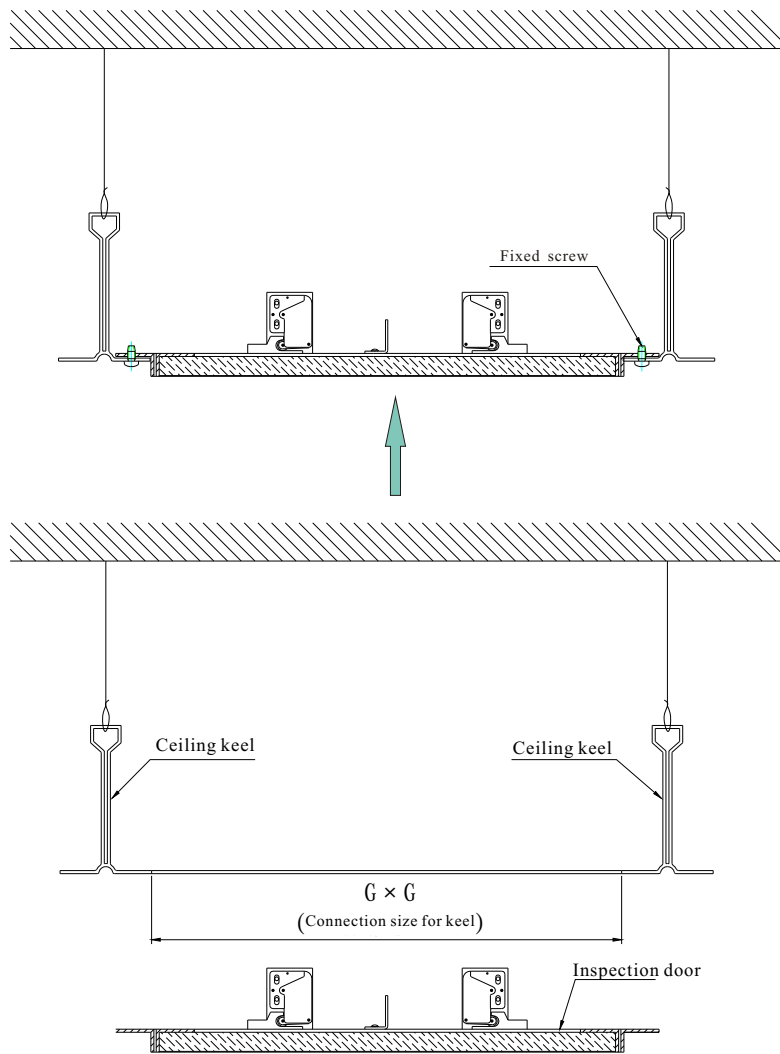
Specification	A	B	C	D	E	F
300×300	300	300	356	356	304	304
400×400	400	400	456	456	404	404
500×500	500	500	556	556	504	504
600×600	600	600	656	656	604	604

**5, Installation and Notes**

1, installation sketch



Drawing for inspection door fixed with ceiling



Drawing for inspection door fixed with keel

Specifiction	G	Remark
300×300	310	The size for G in the table are theoretic , just to consult
400×400	410	
500×500	510	
600×600	610	

### 2,Note

- (1)Either the hole in the ceiling ,or the hole in the keel are all needed to pledge the veracity for their diagonal, otherwise there will bring unnecessary trouble when installation
- (2)After you put the inspection door in the hole of the ceiling , you should make the out frame and ceiling or keel fixed.
- (3)You should set the security pothook in the security bracket after you finish to fix the inspection door to avoid the following circus , when you open the inspection door with too big angle .

### 6,Order Known

- (1) Please confirm the specification of inspection door according to the demonstration given in the sample book .
- (2) The last explanation and modification rights belong to our company